

User Manual

Smart Mini DC UPS

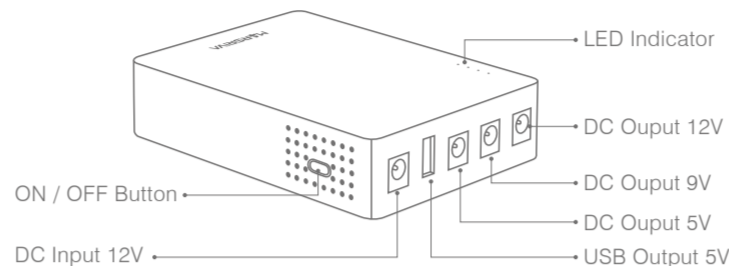
KP3 Series

www.marsriva.com

Package Contents

- Mini DC UPS
- Power Adapter
- DC5525 Cable (Male to Male)
- DC5525 Y-Splitter Cable(Male to 2*Male)
- Adapter (DC35135 to DC5525) (Only for KP3)
- User Manual

Features



Specifications

Model	KP3	KP3 Pro
Battery Capacity	36Wh	
Battery Cell	3.6V / 2500mAh * 4	
Input	DC 12V / 2.0A	DC 12V / 4.0A
Output 1	DC 12V / 1.5A	DC 12V / 3.0A
Output 2	DC 9V / 2.0A	DC 9V / 1.0A
Output 3	DC 5V / 2.0A	DC 5V / 2.1A
Output 4	USB 5V / 2.0A	USB 5V / 2.1A
Total Output	18W (Max.)	36W (Max.)
Net Weight	278g	293g
Unit Dimension	115 * 83 * 27mm (L*W*H)	
AC Mode Temperature	0°C – 40°C	
Battery Mode Temperature	-10°C – 50°C	
Operate Humidity	Less than 75%RH	
Storage	15°C – 35°C, 40 – 75%RH	

MARSRIVA Technology Co., Ltd.

Website: www.marsriva.com

E-mail: info@marsriva.com

Made in China



Specifications are subject to change without notice, all product drawings are for reference only.

Safety Instructions

Handle the DC UPS with Care

Because it contains sensitive electronic components, including batteries.

Do check the working voltage of the devices to be powered, then connect to the corresponding output of the DC UPS.

Do charge the DC UPS fully before initial use.

Do not repair the DC UPS by yourself.

Do not use the DC UPS in any flammable environments.

Do not use damaged DC UPS, it may pose safety risks.

Charging Safety

Do use the original AC power adapter provided with your DC UPS. You can also use third-party 12V power adapters that meet safety standards in your region. Using non-compliant adapters may cause DC UPS malfunctions.

Do not risk injury or death by charging with unsafe adapters.

Do not charge when the power adapter is damaged or in the presence of moisture. Ensure the adapter is fully plugged into the power outlet when charging.

Battery Safety

Do not attempt to replace the batteries by yourself. Incorrect handling can lead to battery damage, overheating, and potential injury.

Choking Hazard Warning

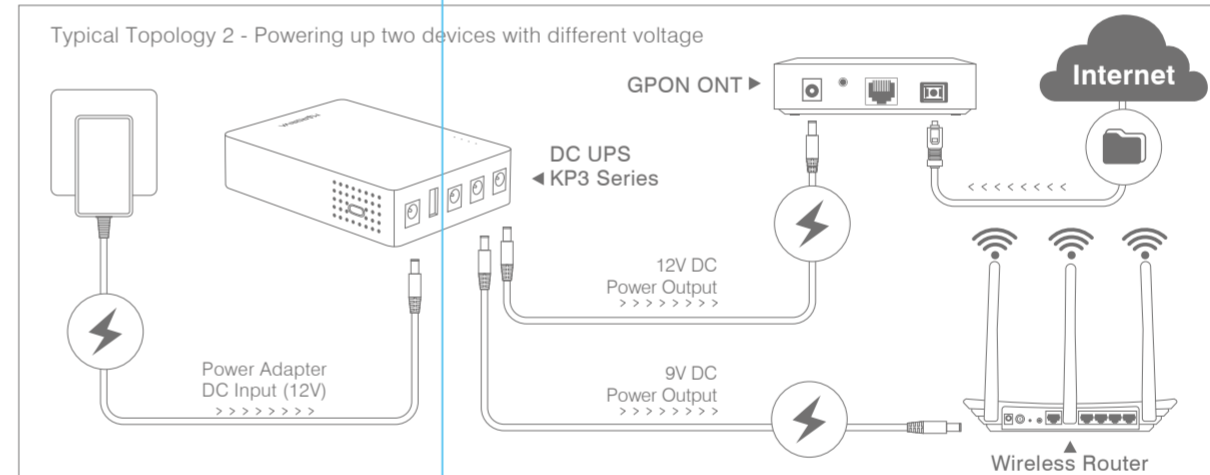
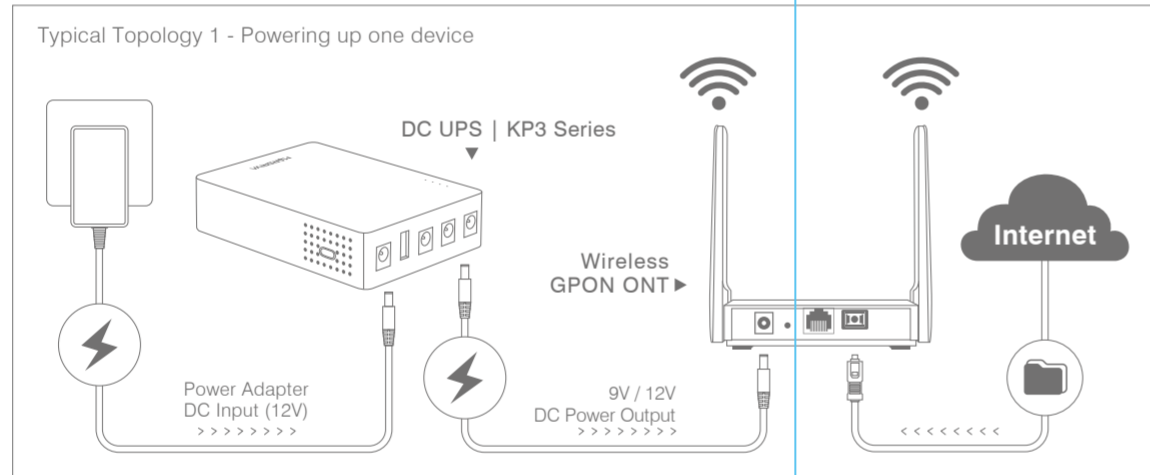
Do not put the DC UPS wherever children can reach. The DC UPS and accessories included may pose a choking hazard or other risks to children.



Before Connecting to DC UPS

1. Your internet configuration should be completed.
2. KP3 supports DC 5V / 9V / 12V output only, please double-check the voltage your device requires. Normally, you can check the required input power for the device through the device's user manual or the label on the device, or you can contact the device manufacturer.

Typical Topology



Instructions for Use

1. Connect Your Device to the DC UPS

While the DC UPS remains powered off, connect wireless routers, GPON ONT, and other devices to the DC UPS.

CAUTION!

The output power of this model is determined by its total power capacity, and the combined power of all connected loads must not exceed the maximum output power.

2. Connect Input Power to the DC UPS

Use the power adapter included in the package to connect the DC UPS to power.

CAUTION!

If not in use for an extended period, maintain a full charge and store the DC UPS in a cool place. If the storage time is too long to turn on, please recharge in time. We recommend charging the DC UPS at least once per month.

Basic Operation

1. Turn On / Off the DC UPS

• In AC Mode

The DC UPS will automatically turn on when connected to the power supply. Press and hold the ON/OFF button for approximately 2 seconds to turn off the DC UPS.

To restart the DC UPS, press the ON/OFF button and turn on the DC UPS.

• In Battery Mode

Press the ON/OFF button and turn on the DC UPS.

Press and hold the ON/OFF button for approximately 2 seconds to turn off the DC UPS.

The DC UPS will automatically shut down after 30 seconds if no load is connected.

2. Overload Protection

When an overload occurs, all indicators will light up and flash. The DC UPS will automatically shut down to protect itself if it is continuously overloaded. Please remove some loads before restarting the DC UPS.

3. Short Circuit Protection

When a short circuit occurs, all output ports will be turned off and KP3 will automatically shut down to protect your device.

4. Indicator

LED Indicator		Description	
Indicator ①	AC mode	On	AC mode
		Off	Battery mode
		Flashing	An error with the power adapter
Indicator ②	100	On	60%~100% battery
		Flashing	Charging battery
Indicator ③	60	On	30%~60% battery
		Flashing	Charging battery
Indicator ④	30	On	0%~30% battery
		Flashing	Charging battery
All Indicators Flashing Simultaneously		Overloaded	

备注:

说明书折页尺寸: 112 x 80mm (先三折后上下对折)

展开尺寸: 336 x 160mm

单色双面印刷 80g书纸